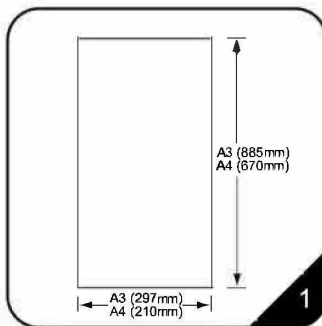


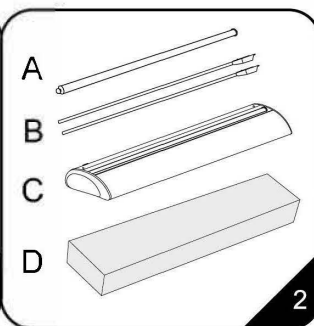
# INSTALLATION STEPS

14B



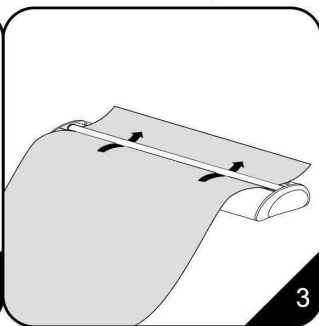
1. The width of stand is A3(A4)(width) x A3 (A4)(height).

**!** Our size in the manual is just a reference. Please make the graphic according to your actual purchased size.

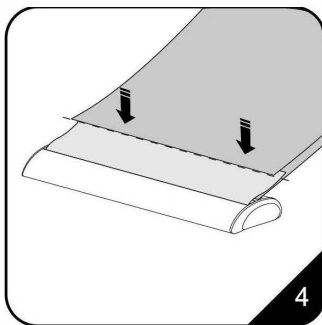


2. The case should contain:  
Installation instruction

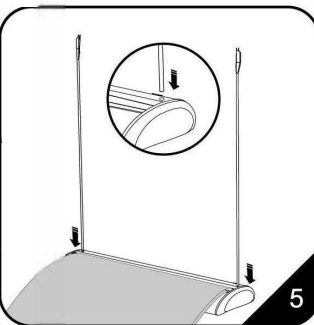
A. upper roller  
B. vertical poles  
C. a base unit    D. colored carton box



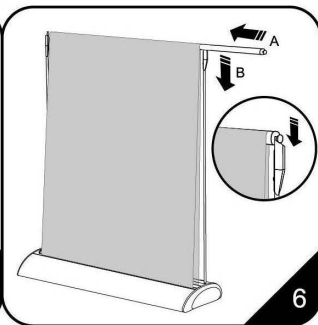
3. Make the graphic go through the roller underneath as shown.



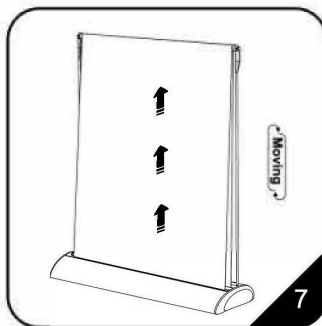
4. Stick the two ends of the graphic together as shown. The superposition is around 0.8~1cm.



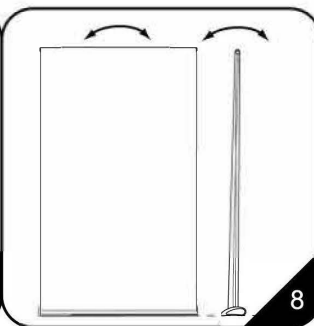
5. Insert both poles into the holes on the base.



6. Cut the upper roller into the graphic and make both ends propped up by both poles.



7. Put 4 batteries into the base and cover the base. Turn on the switch to make it moving.



8. Completed.



**DO NOT PULL THE GRAPHIC FOR AVOIDING THE MOTOR DAMAGED WHILE WITHOUT POWER**